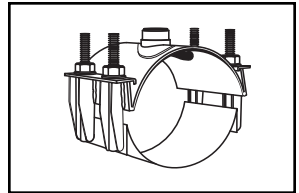
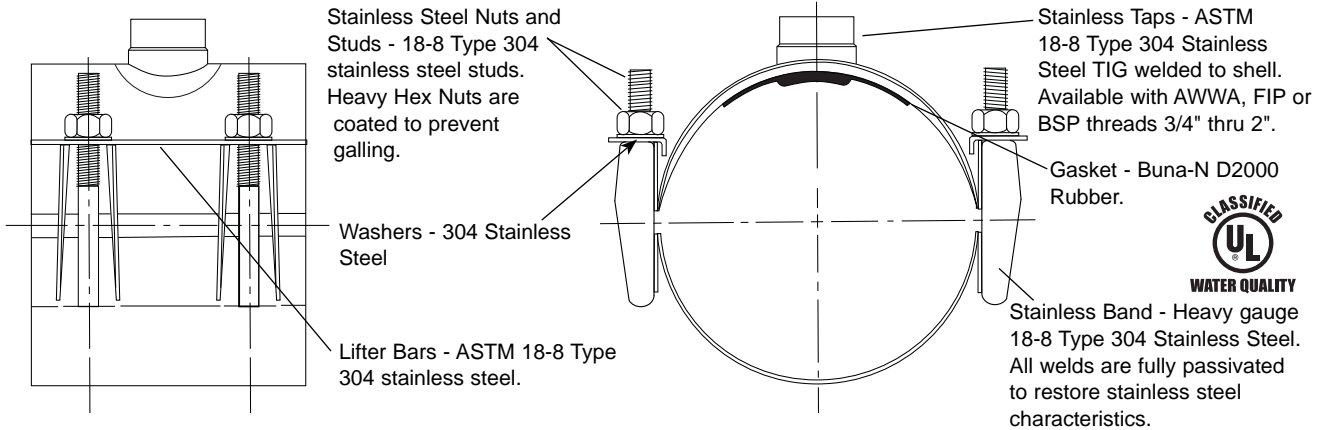


# SUBMITTAL INFORMATION

## Stainless Steel Saddle - Double Band - (FS323-xxx-Tap style)



### TAPPED STAINLESS STEEL SADDLE



NOM. PIPE SIZE	SADDLE O.D. RANGE	TAP SIZE 3/4" & 1"			TAP SIZE 1-1/4", 1-1/2" & 2"			CATALOG NUMBER	✓ SUBMITTED ITEM(S)
		BAND WIDTH	BOLT SIZE	APPROX. WT. LBS.	BAND WIDTH	BOLT SIZE	APPROX. WT. LBS.		
4"	4.74-5.54	6"	5/8"	5.2	7-1/2"	5/8"	5.7	FS323-554-TAP	
6"	6.40-7.20	6"	5/8"	5.1	7-1/2"	5/8"	5.8	FS323-720-TAP	
8"	8.40-9.20	6"	5/8"	6.3	7-1/2"	5/8"	7.8	FS323-920-TAP	
10"	10.70-11.50	6"	5/8"	7.0	7-1/2"	5/8"	9.0	FS323-1150-TAP	
12"	12.70-13.50	6"	5/8"	9.0	7-1/2"	5/8"	11.0	FS323-1350-TAP	
	14.00-14.80	6"	5/8"		7-1/2"	5/8"		FS323-1480-TAP	
14"	14.95-15.75	6"	5/8"	10.0	7-1/2"	5/8"	12.0	FS323-1575-TAP	
	15.60-16.40	6"	5/8"		7-1/2"	5/8"		FS323-1640-TAP	
	15.75-16.55	6"	5/8"		7-1/2"	5/8"		FS323-1655-TAP	
16"	16.40-17.20	6"	5/8"	10.5	7-1/2"	5/8"	12.5	FS323-1720-TAP	
	17.20-18.00	6"	5/8"		7-1/2"	5/8"		FS323-1800-TAP	
	17.60-18.40	6"	5/8"		7-1/2"	5/8"		FS323-1840-TAP	
	18.00-18.80	6"	5/8"		7-1/2"	5/8"		FS323-1880-TAP	
18"	18.40-19.20	6"	5/8"	10.5	7-1/2"	5/8"	12.5	FS323-1920-TAP	
	18.80-19.60	6"	5/8"		7-1/2"	5/8"		FS323-1960-TAP	
	19.20-20.00	6"	5/8"		7-1/2"	5/8"		FS323-2000-TAP	

### OUTLET TAP CODE

CC (AWWA) THREAD			IP THREAD		
THREAD	CODE No.	✓ SUBMITTED ITEM(S)	THREAD	CODE No.	✓ SUBMITTED ITEM(S)
3/4" CC	CC3		3/4" IP	IP3	
1" CC	CC4		1" IP	IP4	
1-1/4" CC	CC5		1-1/4" IP	IP5	
1-1/2" CC	CC6		1-1/2" IP	IP6	
2" CC	CC7		2" IP	IP7	

**To Order:** Select the catalog number for the desired pipe range and complete the catalog number by adding the outlet thread tap code. Example: A double band saddle for 9.05 O.D. pipe with a 3/4" CC thread would be **FS323-920-CC3**.

### FEATURES

- Body, Bands and threaded studs are made of 18-8 Type 304 stainless steel
- All welds are fully passivated for corrosion resistance
- Coined body for gasket retention
- Buna-N rubber pad gasket per (ASTM D2000) with raised compression seal
- Rated for 250 psi working pressure
- UL Classified to ANSI/NSF Standard 61

The Ford Meter Box Company considers the information in this submittal form to be correct at the time of publication. Item and option availability, including specifications, are subject to change without notice. Please verify that your product information is current.



**The Ford Meter Box Company, Inc.**  
 P.O. Box 443, Wabash, Indiana U.S.A. 46992-0443  
 Phone: 260-563-3171 / Fax: 800-826-3487  
 Overseas Fax: 260-563-0167  
 www.fordmeterbox.com

07/09/15

Submitted By: