

INSTAL

FLEXIBLE COUPLINGS FOR PIPE
CONNECTIONS

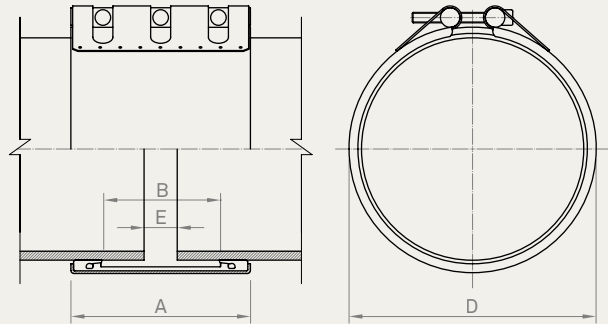




NOMINAL WIDTH 200

Series IBZ to IGZ

| | IBZ | ICZ | IDZ | IEZ | IFZ | IGZ |
|----------------|---------|---------|---------|---------|---------|---------|
| | mm | mm | mm | mm | mm | mm |
| A | 199 | 200 | 201 | 202 | 204 | 206 |
| B | 142 | 142 | 142 | 142 | 142 | 142 |
| D | OD + 23 | OD + 24 | OD + 25 | OD + 26 | OD + 28 | OD + 30 |
| E ¹ | 15 | 15 | 15 | 15 | 15 | 15 |
| E ² | 60 | 60 | 60 | 60 | 60 | 60 |



| | Quality W1 | | Quality W2 | | Quality W4 | | Quality W5 | |
|---------------------------|------------|-----|------------|--------|------------|--------|------------|--------|
| | AISI | DIN | AISI | DIN | AISI | DIN | AISI | DIN |
| Casing | | | 304 L | 1.4307 | 304 L | 1.4307 | 316 L | 1.4404 |
| Bolts | | | 1035 | 1.0501 | 304 | 1.4301 | 316 | 1.4401 |
| Bars | | | 1045 | 1.0503 | 304 L | 1.4307 | 316 L | 1.4404 |
| Inner Steel Bridge (Lock) | | | 304 L | 1.4307 | 304 L | 1.4307 | 316 L | 1.4404 |

| DN | IBZ | | | | ICZ | | | | IDZ | | | | IEZ | | | | IFZ | | | | IGZ | | | | |
|------|-----|--------|--------|---------------|--------|--------|--------------|--------|--------|---------------|--------|--------|---------------|--------|--------|---------------|--------|--------|---------------|--------|--------|---------------|--------|--------|---------------|
| | mm | PN bar | PS bar | Diam. Tor. Nm | PN bar | PS bar | Dia. Tor. Nm | PN bar | PS bar | Diam. Tor. Nm | PN bar | PS bar | Diam. Tor. Nm | PN bar | PS bar | Diam. Tor. Nm | PN bar | PS bar | Diam. Tor. Nm | PN bar | PS bar | Diam. Tor. Nm | PN bar | PS bar | Diam. Tor. Nm |
| 150 | 8,5 | 23 | M 12 | 20 | 11,0 | 30 | M 12 | 20 | | | | | | | | | | | | | | | | | |
| 200 | 6,5 | 18 | M 12 | 20 | 9,0 | 24 | M 12 | 25 | 11,0 | 30 | M 12 | 20 | | | | | | | | | | | | | |
| 250 | 5,5 | 15 | M 12 | 25 | 7,0 | 19 | M 12 | 25 | 9,0 | 24 | M 12 | 20 | | | | | | | | | | | | | |
| 300 | 4,5 | 12 | M 12 | 30 | 6,0 | 16 | M 12 | 30 | 7,5 | 20 | M 12 | 20 | | | | | | | | | | | | | |
| 350 | 4,0 | 11 | M 12 | 35 | 5,0 | 14 | M 12 | 30 | 6,5 | 18 | M 12 | 25 | 7,5 | 21 | M 12 | 25 | 10,5 | 28 | M 16 | 30 | | | | | |
| 400 | 3,0 | 9 | M 12 | 35 | 4,5 | 13 | M 12 | 25 | 6,0 | 16 | M 12 | 30 | 7,0 | 19 | M 12 | 25 | 9,0 | 25 | M 16 | 60 | | | | | |
| 450 | 3,0 | 8 | M 12 | 45 | 4,0 | 11 | M 12 | 30 | 5,0 | 14 | M 12 | 30 | 6,0 | 17 | M 12 | 30 | 8,0 | 22 | M 16 | 40 | | | | | |
| 500 | 3,0 | 8 | M 12 | 45 | 3,5 | 10 | M 12 | 35 | 4,5 | 13 | M 12 | 35 | 5,5 | 15 | M 12 | 30 | 7,5 | 20 | M 16 | 40 | | | | | |
| 550 | 2,5 | 7 | M 12 | 35 | 3,0 | 9 | M 12 | 35 | | | | | 5,0 | 14 | M 16 | 45 | 7,0 | 19 | M 16 | 45 | | | | | |
| 600 | 2,0 | 6 | M 12 | 35 | 3,0 | 9 | M 12 | 35 | | | | | 4,5 | 13 | M 16 | 50 | 6,0 | 17 | M 16 | 50 | 7,5 | 21 | M 20 | 60 | |
| 650 | 2,0 | 6 | M 12 | 40 | 3,0 | 8 | M 12 | 45 | | | | | 4,5 | 12 | M 16 | 60 | 6,0 | 16 | M 16 | 60 | 7,5 | 20 | M 20 | 70 | |
| 700 | 2,0 | 6 | M 12 | 45 | 2,5 | 7 | M 12 | 45 | | | | | 4,0 | 11 | M 16 | 60 | 5,5 | 15 | M 16 | 60 | 6,5 | 18 | M 20 | 70 | |
| 750 | 1,5 | 5 | M 12 | 45 | 2,5 | 7 | M 12 | 45 | | | | | 3,5 | 10 | M 16 | 60 | 5,0 | 14 | M 16 | 60 | 6,0 | 17 | M 20 | 80 | |
| 800 | 1,5 | 5 | M 12 | 50 | 2,0 | 6 | M 12 | 50 | | | | | 3,5 | 10 | M 16 | 70 | 4,5 | 13 | M 16 | 70 | 6,0 | 16 | M 20 | 90 | |
| 850 | 1,5 | 5 | M 12 | 60 | 2,0 | 6 | M 12 | 60 | | | | | 3,0 | 9 | M 16 | 70 | 4,5 | 12 | M 16 | 70 | 5,5 | 15 | M 20 | 90 | |
| 900 | | | | | 2,0 | 6 | M 12 | 60 | | | | | 3,0 | 9 | M 16 | 80 | 4,5 | 12 | M 16 | 80 | 5,0 | 14 | M 20 | 100 | |
| 950 | | | | | 1,5 | 5 | M 12 | 60 | | | | | 3,0 | 8 | M 16 | 80 | 4,0 | 11 | M 16 | 80 | 5,0 | 14 | M 20 | 100 | |
| 1000 | | | | | 1,5 | 5 | M 12 | 70 | | | | | 3,0 | 8 | M 16 | 90 | 3,0 | 10 | M 16 | 90 | 4,5 | 13 | M 20 | 120 | |
| 1100 | | | | | 1,5 | 5 | M 16 | 90 | | | | | 2,5 | 7 | M 16 | 90 | 3,0 | 9 | M 16 | 90 | 4,5 | 12 | M 20 | 120 | |
| 1200 | | | | | 1,5 | 4 | M 16 | 100 | | | | | 2,5 | 7 | M 16 | 100 | 3,0 | 9 | M 16 | 10 | 4,0 | 11 | M 20 | 120 | |
| 1300 | | | | | | | | | | | | | 2,0 | 6 | M 16 | 120 | 3,0 | 9 | M 16 | 120 | 3,5 | 10 | M 20 | 140 | |
| 1400 | | | | | | | | | | | | | 2,0 | 6 | M 16 | 120 | 2,5 | 7 | M 16 | 120 | 3,0 | 9 | M 20 | 160 | |
| 1500 | | | | | | | | | | | | | 1,5 | 5 | M 16 | 140 | 2,5 | 7 | M 16 | 140 | 3,0 | 9 | M 20 | 160 | |

E¹ Permitted gaps without internal band E² Permitted gaps with internal band Tor. Torque Value

PN Nominal pressure for the shipbuilding industry with safety factor ≥ 4 PS Working pressure DN Nominal Diameter OD Outside Diameter

| OD | Maximum diameter difference | Maximum angular deflection | Maximum misalignment |
|------------|-----------------------------|----------------------------|----------------------|
| mm | mm | degrees | mm |
| 150 - 250 | 2,5 | 2,0 | 2,0 |
| 250 - 500 | 2,5 | 2,0 | 3,0 |
| 500 - 1500 | 3,0 | 2,0 | 3,0 |

See page 5 (Permitted tolerances)

For the correct operation of the coupling, fitting instructions must be respected.

Nominal diameters serve as guidance of the pressure scale. All measures within the DN range are manufactured.

Sealing gasket: EPDM / NBR / Silicone

Test pressure = 1.5 x PS / PN

APPLICATION

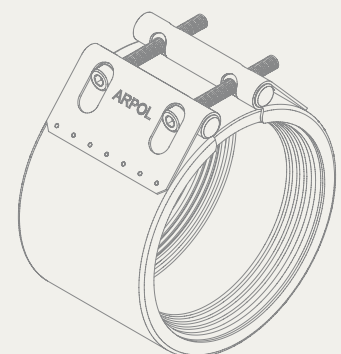
INSTAL



- Installation of an aerial steel pipeline in a waste water treatment plant.



- Connection of a polyester piece of pipe between collection boxes.



APPLICATION

INSTAL



■ Connection of a polyester pipe to a valve.

■ Installation of a dismantling pipe inside a collection box.



■ Connection of a galvanized steel pipeline for air supply.



■ Installation of a polyester pipeline for water supply.



■ Installation of stainless steel pipeline for disposal of urban solid waste.