

FIX

FLEXIBLE COUPLINGS FOR PIPE CONNECTIONS WITH
AXIAL RESTRAINT

FIX-L



FIX-M



FIX-U



MULTI-FIX



FIX-M



FIX-U



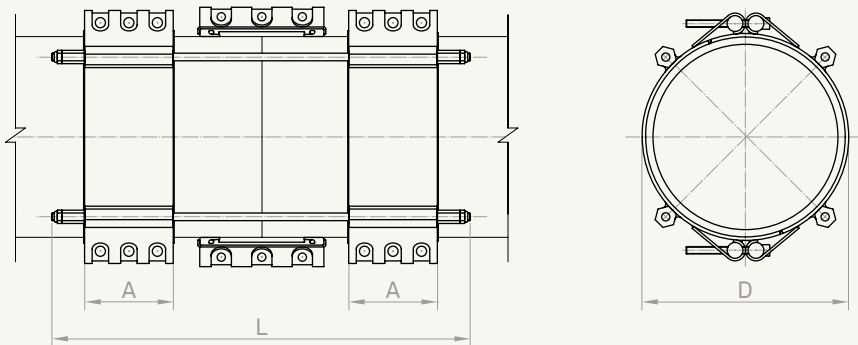
FIX-L



MULTI-FIX

FOR POLYETHYLENE PIPE

Series MULTI-FIX



It is necessary to place an inner ring inside the PE pipe to stiffen it and prevent the deformation and reduction of pipe diameters caused by temperature differentials.

This anchoring set requires a specialized installation process, please see the fitting instruction before choosing this product.

	Quality W1		Quality W2		Quality W4		Quality W5	
	AISI	DIN	AISI	DIN	AISI	DIN	AISI	DIN
Casing					304 L	1.4307	316 L	1.4404
Bolts					304	1.4301	316	1.4401
Bars					304 L	1.4307	316 L	1.4404
Restraining rod					304	1.4301	316	1.4401
Anchoring band					304 L	1.4307	316 L	1.4404

OD mm	Pressure			ΔT max			Max axial load			Dimensions						Restraining rod						
	PS bar			°C			kN			A mm			L mm			D mm	Diam.			Quantity		
	PS6	PS10	PS16	PS6	PS10	PS16	PS6	PS10	PS16	PS6	PS10	PS16	PS6	PS10	PS16		PS6	PS10	PS16	PS6	PS10	PS16
315	6	10	16	40	40	40	125	186	278	140	140	200	645	677	829	326	M12	M16	M16	4	4	4
355	6	10	16	40	40	40	158	237	353	140	140	200	645	677	829	366	M12	M16	M16	4	4	4
400	6	10	16	40	40	40	201	301	500	140	200	200	677	809	829	411	M16	M16	M20	4	4	4
450	6	10	16	40	40	40	254	382	567	140	200	200	677	829	829	461	M16	M20	M20	4	4	6
500	6	10		40	40		314	470		140	200		677	829		511	M16	M20		6	6	
560	6	10		40	40		393	589		140	200		677	829		571	M16	M20		6	6	
630	6	10		40	40		498	746		200	200		829	829		641	M20	M20		6	6	
710	6	10		40	30		633	810		200	200		829	829		722	M20	M20		6	8	
800	6	10		40	25		803	941		200	200		829	829		816	M20	M20		8	8	
900	6	10		40	20		1016	1081		200	200		829	829		916	M20	M20		9	9	
1000	6	10		40	15		1255	1200		200	200		829	829		1016	M24	M24		9	9	

PS Working pressure OD Outside diameter ΔT Temperature differential

For the correct operation of the coupling, fitting instructions must be respected.

Test pressure = 1,25 x PS

The Arpol MULTI-FIX is the anchoring set only. The sealing coupling in the middle can be an Arpol INSTAL or Arpol REP.